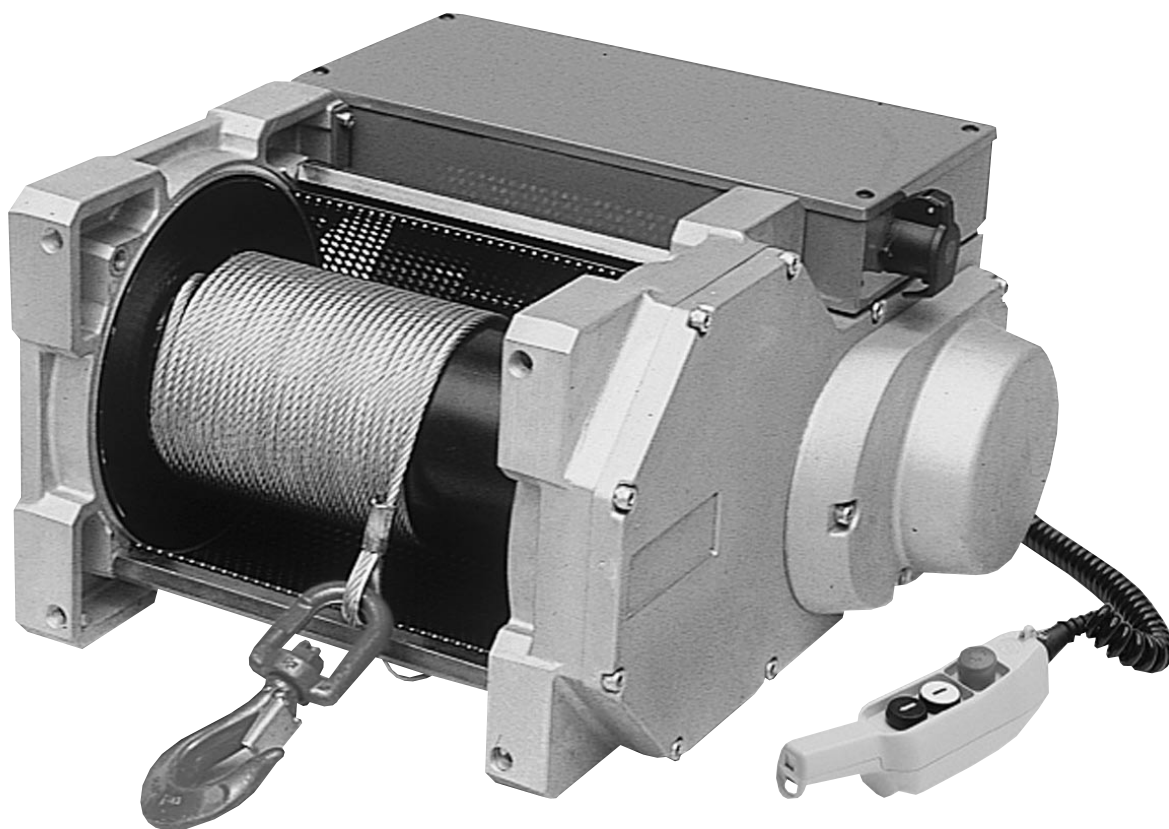


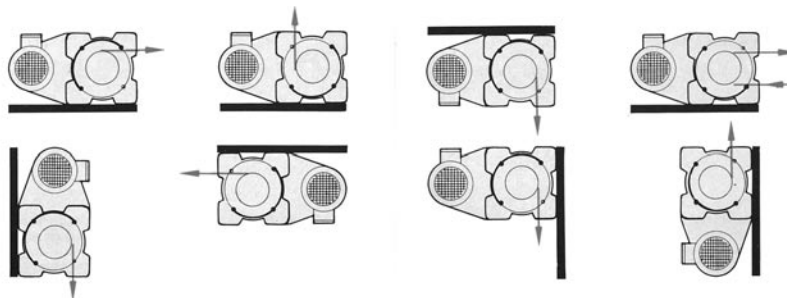
# Electric winches TRB 500/800/960



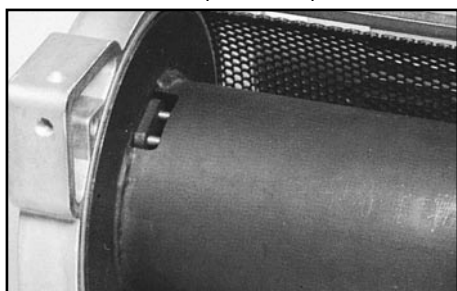
## 500 to 960 kg capacity



Many possibilities of fixing in different positions and rope outlets



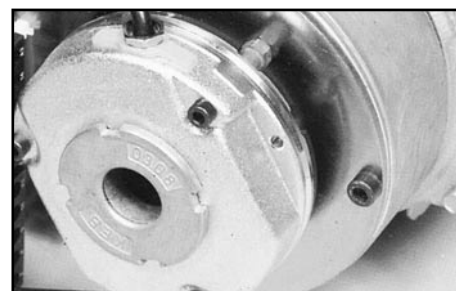
Protected drum with perforated plate.



Nut cage for multi-position fixing of the winch.  
Very safe rope clamp.



Instantaneous power-cut electromagnetic disk brake.

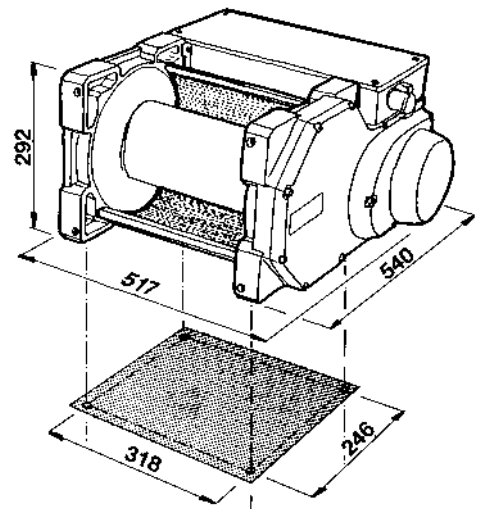


# Dimensions and technical data

**TRB : winch designed for maximum functionality and versatility. Available with full or low voltage control.**

**TRB 220 V full voltage controlled:**

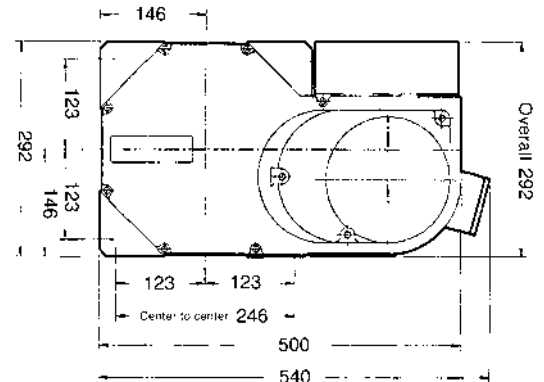
- 240 volts – 50 Hz single-phase or 240-400 volts three-phase self-braking motor – P = 1.1 kW – IP 54 – Start capacitor (for single-phase models)
- Remote control in full voltage: 240 volts S-Ph. or 240/400 volts T-Ph. Protection IP 67. Double insulated.
- Emergency stop.
- Weld steel drum.
- All others technical characteristics same as low-voltage TRB models
- Some optional equipments cannot be fitted on these models, please feel free to contact our sales department.
- The (optional) limit switch device can be installed only on the single-phased models. For the three-phased models, the limit switch will have to be incorporated to the installation. Otherwise a low-voltage model must be selected.



On the 2 mounting planes, the 4 points form a 318 x 246 rectangle (all models).

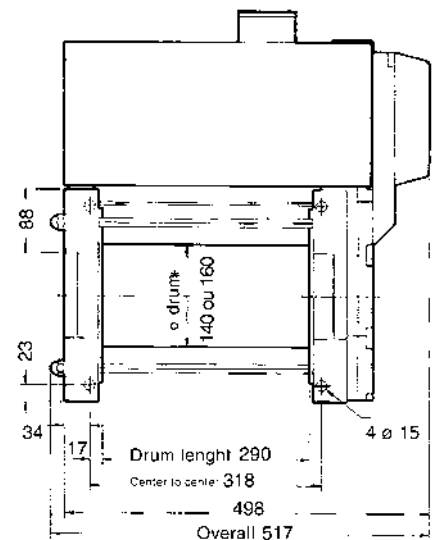
**TRB low voltage controlled:**

- 240 volts – 50 Hz lifting type. Single-phase motor. Start capacitor. Class F. Protection IP 55.
- 240/400 volts – 50 Hz lifting type. Three-phase motor. Class F. Protection IP 55.
- Seal grease-bath helical reduction gearing.
- 24 volts d.c. electromagnetic brake. P = 25 W.
- Weld steel drum.
- Optional 24 volts low voltage control.
- 24 volts remote control with plug.
- Emergency stop.
- Many optional equipments available.



Model	Capacity on the 1st layer kg	Capacity on the last layer kg	Number of layers	Motor kW	Speed m/min	Rope length m	Rope diameter mm	Weight kg
TRB 501 CD	635	500	4	1.5 S-Ph.	9	85	6.8	81
TRB 503 CD	635	500	4	1.1 T-Ph.	5	85	6.8	81
TRB 803 CD	950	800	3	1.1 T-Ph.	5	60	8	81
TRB 963 CD	960	960	1	1.1 T-Ph.	5	17	8	81
TRB 501 - 12	635	500	4	1.5 S-Ph.	12	85	6.8	85
TRB 503 - 5	635	500	4	0.55 T-Ph.	5	85	6.8	85
TRB 503 - 9	635	500	4	1.1 T-Ph.	9	85	6.8	85
TRB 503 - 12	635	500	4	1.5 T-Ph.	12	85	6.8	85
TRB 503 - 18	635	500	4	2.2 T-Ph.	18	85	6.8	85
TRB 503 - 23	635	500	4	3 T-Ph.	23	85	6.8	85
TRB 803 - 5	950	800	3	1.1 T-Ph.	5	60	8	90
TRB 803 - 10	950	800	3	2.2 T-Ph.	10	60	8	90
TRB 803 - 13	950	800	3	2.2 T-Ph.	13	60	8	90
TRB 803 - 17	950	800	3	3 T-Ph.	17	60	8	90
TRB 963 - 5	960	960	1	1.1 T-Ph.	5	17	8	90
TRB 963 - 10	960	960	1	2.2 T-Ph.	10	17	8	90
TRB 963 - 13	960	960	1	2.2 T-Ph.	13	17	8	90
TRB 963 - 17	960	960	1	3 T-Ph.	17	17	8	90
TRC 501 CD	635	500	4	1.5 S-Ph.	9	85	6.8	91
TRC 501 - 12	635	500	4	1.5 S-Ph.	12	85	6.8	95
TRC 503 - 12	635	500	4	1.5 T-Ph.	12	85	6.8	95
TRC 503 - 18	635	500	4	2.2 T-Ph.	18	85	6.8	95
TRC 503 - 23	635	500	4	3 T-Ph.	23	85	6.8	95
TRC 803 - 17	950	800	3	3 T-Ph.	17	60	8	100

The indicated rope diameter corresponds to the capacity on the last layer.



\* ø 140 -> 500 kg  
 ø 160 -> 800/960 kg



60420 Ferrières (Oise) - France  
 Tél. +33 344 511 133 - Fax +33 344 511 313

www.huchez.fr