

Electric winch TRC for construction sites



250, 350, 500 et 800 kg

TRC 250
and 350

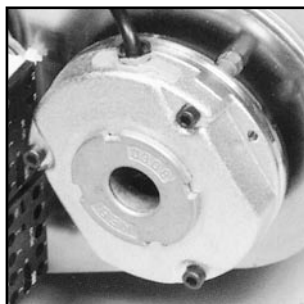


TRC 500 and 800

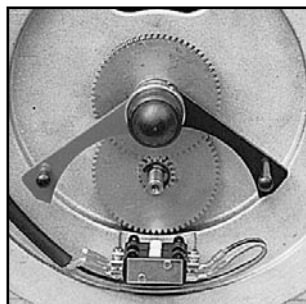


Electric control
Meets the safety standards.
The control box is supplied with 24 V
or 220 V protection IP 657 for
the direct controlled models.

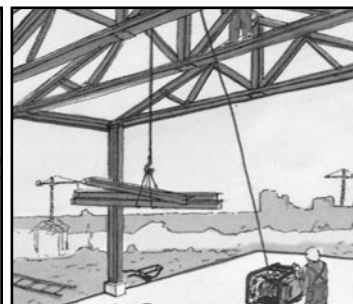
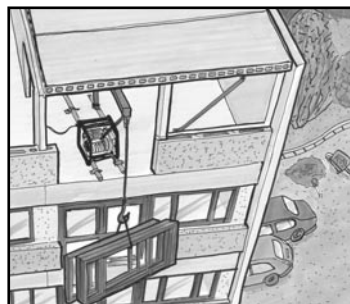
Disk brake
The powerful instantaneous
electromagnetic brake brings the
load to rest as soon as the remote
control button is released or in the
event of power failure.



Limit switch
The reliable, adjustable limit
switches ensure safe operation
by preventing travel beyond
the upper and lower limits.



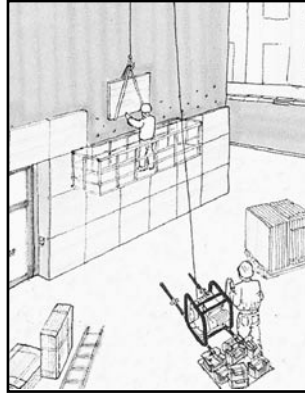
The TRC winch is highly rated in the building industry.
Masons, carpenters, roofers, plumbers, facers, caulkers, painters and gla-
ziers use it to lift loads that are often bulky and heavy.



Technical data and specifications



Rope length
The 60 or 85 meters of rope length correspond to the height of a 20 or 30-storey block.



Mounting and ballasting
The sleeves at the lower part of the frame accommodate scaffolding tubes providing all mounting and ballasting capabilities.



Single- or three-phase supply
Two possibilities :
• 220 V single-phase.
The TRC will plug anywhere.
• 220/380 V three-phase.



Very handy (250 - 350 kg) and good protection
The TRC can be installed at the most suitable locations on the job and is easily stored.

The TRC winch is in compliance with the European regulations, in particular the directive CE 98/37 relating to the design of machines.

- 24 d.c. electromagnetic brake.
- Welded steel drum.
- Electric switchgear under weatherproof cover.
- 24 V very-low-voltage remote control with connector.
- Standard power connector.
- Limit switches.
- Emergency stop

TRC 250 et 350 kg :

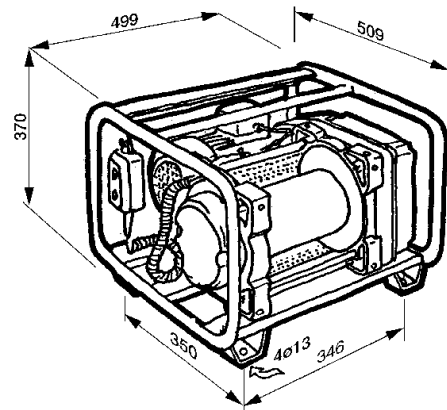
- 240 V - 50 Hz lifting type 1-phase motor - Start capacitor at a current close to rated current - Class F - Protection IP 55 - Current rating: 10A.
- 240/400 V - 50 Hz lifting type 3-phase motor.
- CD Models (direct control) : 240 V - 50 Hz 1-phase brake-motor P = 1.1 kW - Start capacitor - 240 V remote control - Protection IP 657, double isolation.

TRC 500 et 800 kg :

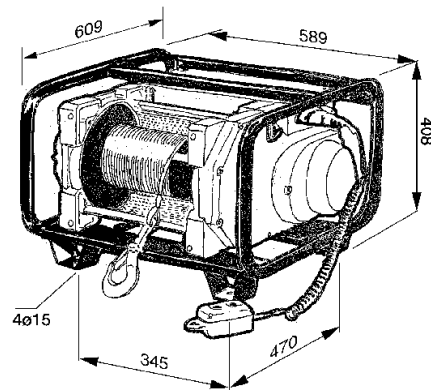
- 240 V - 50 Hz - 1-phase motor - P = 1,5 kW. Start capacitor.
- 240/400 V - 50 Hz - 3-phase motor - P = 1,5 to 3 kW.

Model	Motor KW	Capacity	Speed	Rope length m	cable dia.	Weight
TRC 251 CD	1,1 mono	250	20	60	5	45
TRC 251	1,1 mono	250	25	60	5	49
TRC 351 CD	1,1 mono	350	15	40	5	45
TRC 351	1,1 mono	350	15	40	5	49
TRC 253	1,1 tri	250	25	60	5	49
TRC 353	1,1 tri	350	15	40	5	49
TRC 501	1,5 mono	500	12	85	6,8	90
TRC 503	1,5 tri	500	12	85	6,8	90
TRC 503	2,2 tri	500	18	85	6,8	90
TRC 503	3 tri	500	23	85	6,8	90
TRC 803	3 tri	800	17	60	8	90

Different speeds on request.



TRC 250/350 kg : Drum dia. : 121
Drum length : 230



TRC 500/800 kg : Drum dia. : 140 ou 160
Drum length : 290

Accessories :



The TRC winches can be supplied with ropes and accessories.



treuils

HUCHEZ

60420 Ferrières (Oise) - France

Tél. +333 44 51 11 33 - Fax +333 44 51 13 13

www.huchez.fr