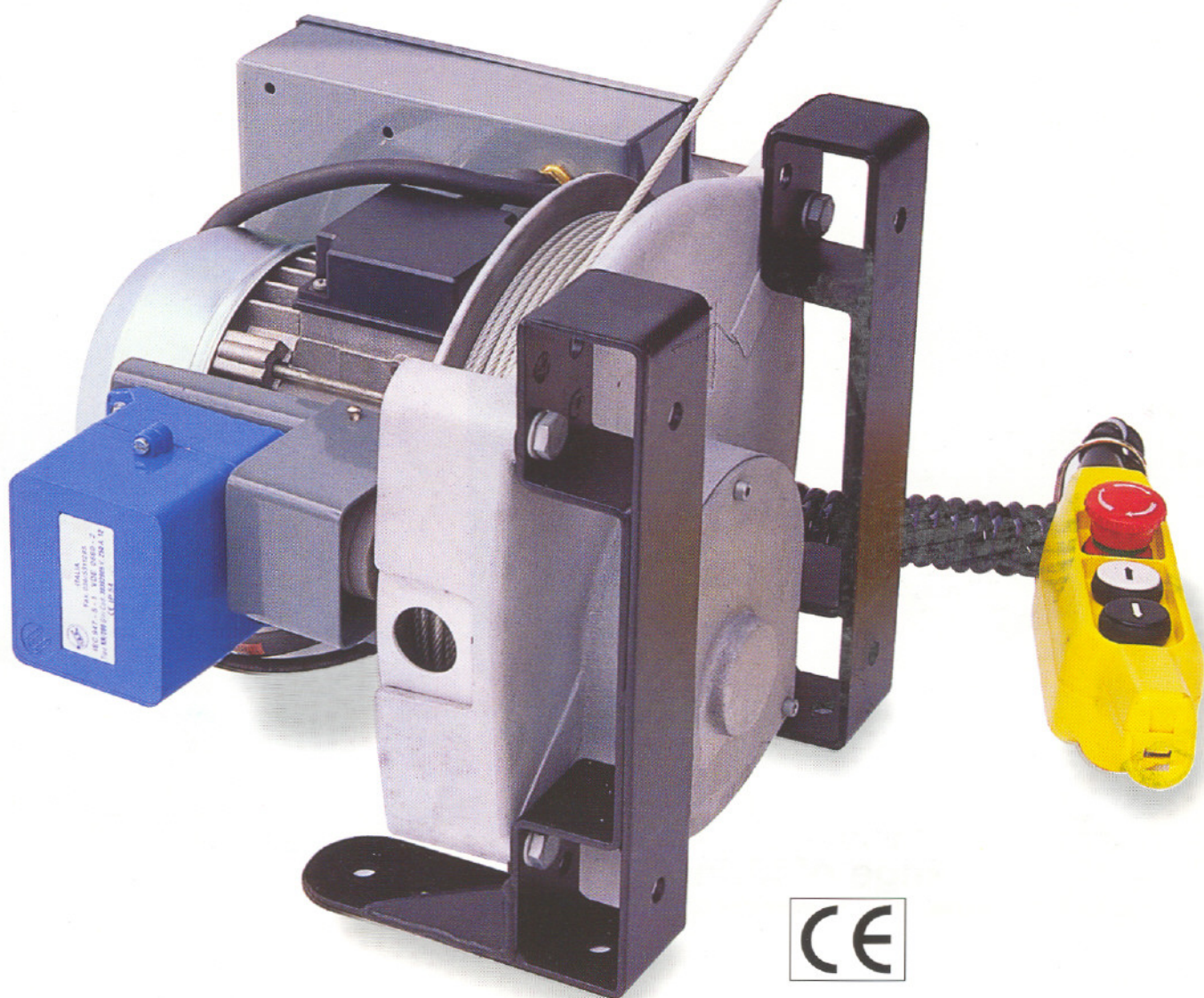


COMPACT ELECTRIC WINCH

TIRLEV[®]

Capacity 200 kg



treuils

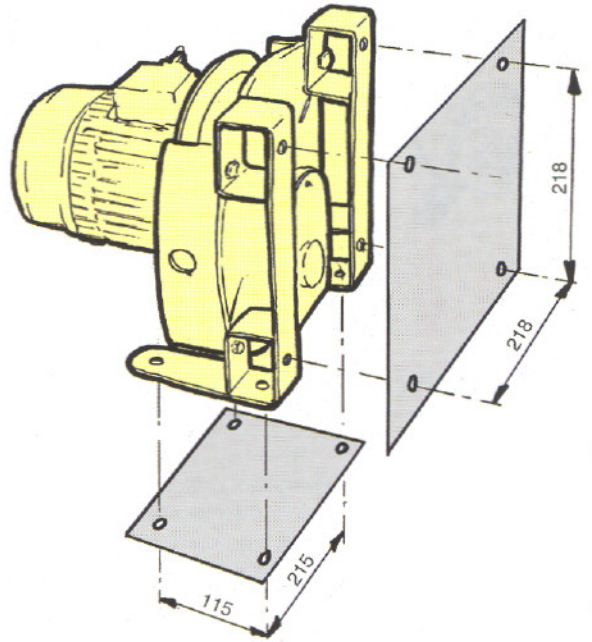
HUCHEZ

Dimensions and technical data

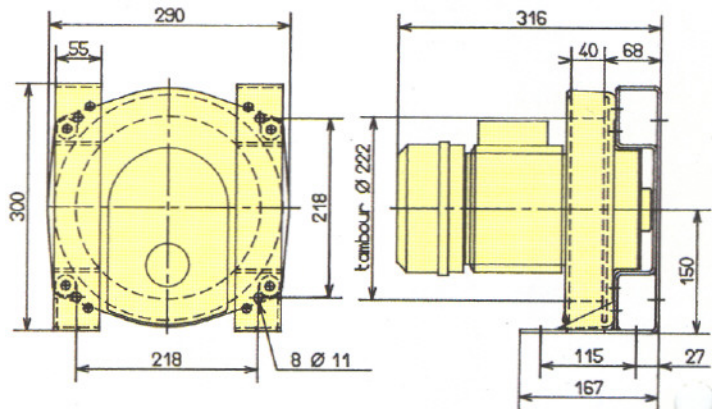
- Compact machine with vertical and horizontal mounting
- Max. capacity: 200 kg.
- Max. wire rope capacity: 25 m in 4 mm dia.
- Numerous possibilities for wire rope exit direction by swinging the winch through 90° right or left.

Technical description

- Depending on model: single-phase start capacitor brake motor 220 volts - 50 Hz, or three-phase brake motor 220/380 volts - 50 Hz or 380 volts for 2 speeds.
- Direct control 220 volts single-phase and 220/380 volts three-phase (except 2-speed), with double insulated IP657 control box or 24-volt very low voltage control (option).
- Optional limit-switch system (only with very low voltage control for three-phase models).

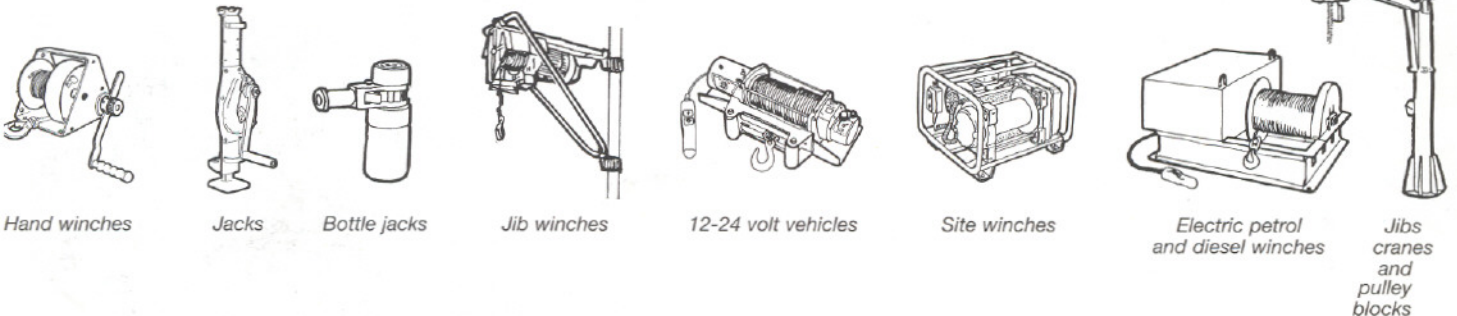


Model	Motor KW	Capacity kg	Speed m/mn	Rope capac. m	Rope dia. mm	Weight kg
Tirlev 201 V 20	0,75 mono	200	20	25	4	25
Tirlev 203 V 20	0,75 tri	200	20	25	4	25
Tirlev 203 V 10	0,37 tri	200	10	25	4	25
Tirlev 203 V 12	0,37/0,75 tri	200	10/20	25	4	25



Model	Supply	Speed	Direct control	24 V LV	Limit switch	
					Direct control	24 V LV
Tirlev 201 V 20	Mono	1	•	•	•	•
Tirlev 203 V 20	Tri	1	•	•	no	•
Tirlev 203 V 10	Tri	1	•	•	no	•
Tirlev 203 V 12	Tri	2	no	•	no	•

A complete range of lifting equipments



treuils
HUCHEZ

60420 Ferrières (Oise) - France
Fax 33 03 44 51 13 13 - Tél. 33 03 44 51 11 33

INTERLIFT AB

Lift & materialhantering

SJÖBO BOLLNÄS

0416 - 174 00 0278 - 186 00