



# Automatic Lifting Hook

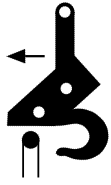


Automatically hooks up, safety locks and releases.  
The risk for injury is dramatically reduced.  
No climbing or helpers injured or squeezed by the  
load in the dangerous loading or drop zone.

# New Concept Saves Time and Increases Safety

Lifting operations with mobile cranes and industrial hoists can safely be managed by the operator alone. He can remain at the controls during lifting and release operation.

The Automatic Hook is available in 5 sizes from 2 to 20 tons. It is easy to operate, has rugged design and a high reliability.



## HOOK UP

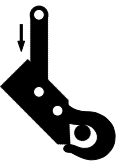
Lifting eye. Do not use sling or rope.



## LIFT

When the hook is engaged, the load tension automatically safety locks the hook and housing assembly.

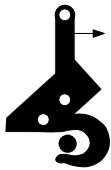
The Automatic Hook consists of hook, housing and link. Forged hook, housing and link are of high-grade alloy steel. Unloaded, the spring loaded hook is pulled up against the housing in an open, ready-to-load position where it can easily be hooked onto a lifting eye or other attached hardware.



## LOWER

After completed lifting operation the hook is lowered until it tilts into release position and opens.

When the Automatic Hook is engaged, the load tension closes the hook opening, and the safety latch is automatically locked.



## RELEASE

The hook automatically frees itself from the load and is ready for the next lifting operation. Do not force it open with any tools!

The hook remains safety locked even if it is unloaded. It is therefore possible to safely set down the load and make adjustments.

## APPLICATIONS

Blasting mats, pipes, pumps, machines, gas bottles, big bags and general lifting.

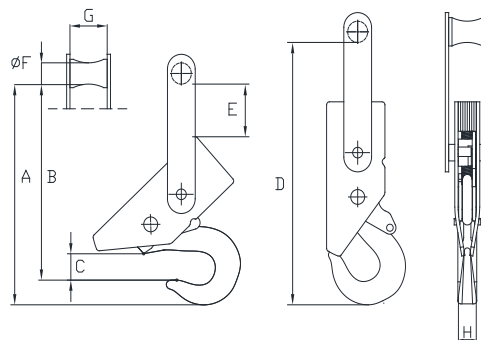
To release the safety lock after completed lifting operation, the hook is lowered until the upper link has tilted approx. 60° in relation to the housing.

When the lock is released, the hook swings up into an open starting position.

The load is released, and the hook is ready for a new lifting operation.

The Automatic Hook is tested and approved by the Swedish Institute for Materials Testing.

Transport case is optional.



IS	WORKING LOAD LIMIT TON		DIMENSIONS MM								WEIGHT APPROX. KG
	SAFETY FACTOR		A	B	C	D	E	F	G	H	
	4:1	5:1									
2	2	1,6	310	280	63	340	80	20	42	21	3,0
5	5	4,2	360	325	49	430	90	32	67	28	6,7
10	10	8	490	425	70	580	110	44	58	42	15
15	15	12	525	460	83	625	115	54	72	43	24
20	20	16	580	500	95	700	130	65	83	51	37



9343-1\_160324



Svealyft AB  
www.svealyft.se  
info@svealyft.se

svealyft® 040-22 12 90