

### INFO

All ratchet lever hoists with a capacity exceeding 750 kg can be used for load attachment according to EN 12195.

Yale hoists and trolleys are not designed for passenger elevation applications and must not be used for this purpose.



### Silverline HZ S Ratchet lever hoists

#### Capacity 750 - 6000 kg

The Silverline HZS is designed and built for safe and efficient operation.

A hoist with low maintenance - at an economical price.

#### Features

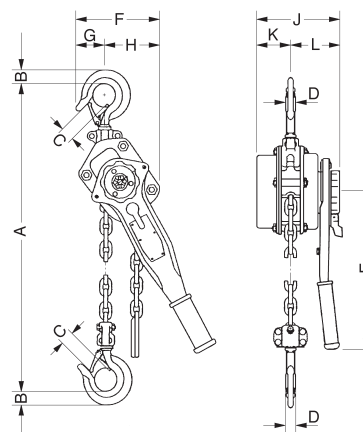
- Strong bolts between side plates and housing cover ensure increased stability.
- Chain guide rollers eliminate fouling and jamming of chain.
- Bearings for side plates permit a long service life.
- Zinc-plated load chain as standard.
- Forged suspension and load hooks are made from high tensile steel and fitted with safety latches.

#### Technical data Silverline HZS

Model	Art.-Nr.	Capacity kg	Number of chain falls	Chain dimensions d x p in mm/ design	Lift with one full lever turn mm	Handle pull at WLL daN	Weight at standard lift (1.5 m) kg
HZS 750	14737	750	1	6 x 18 - T	20	20	7.0
HZS 1500	14738	1500	1	8 x 24 - T	10	36	10.0
HZS 3000	14739	3000	1	10 x 30 - T	17	38	18.0
HZS 6000		6000	2	10 x 30 - T	9	39	27.0

#### Dimensions Silverline HZS

Model	HZS 750	HZS 1500	HZS 3000	HZS 6000
A min., mm	330	410	490	640
B, mm	24	30	45	55
C, mm	26	31	34	46
D, mm	14	18	26	37
E, mm	280	410	410	410
F, mm	111	175	190	240
G, mm	33	50	60	80
H, mm	78	125	130	160
J, mm	142	180	195	200
K, mm	55	75	85	90
L, mm	87	105	110	110



Getinggränd 2 · 275 39 SJÖBO | Bronsyxegatan 9B · 213 75 MALMÖ

Växel 010 – 188 22 00 | WWW.INTERLIFT.SE

VÄND DIG MED FÖRTROENDE TILL INTERLIFT AB -  
ETT STARKT VAL NÄR DET GÄLLER LYFT- OCH MATERIALHANTERING